

SMALL VESSEL HANDLING SYSTEM

SOSI designs and builds custom deck equipment to suit your instrument handling requirements. We will customize our proven A-Frame, J-Davit, Capstan winch, and other handling systems to fit your vessel footprint and load handling requirements.

PERMANENT INSTALLATION A-FRAMES, J-DAVITS & CAPSTANS

- Designed and built to suit customer specifications
- Variable Speed Control
- Safe Working Loads of 500-5,000 lbs.
- Aluminum or Steel Construction
- Marine Grade Paint System on Steel Construction
- Stainless steel shafts and hardware
- Stainless steel capstan drums

OPTIONS

- Overboarding Sheave
- ROV Docking Head
- A-Frame mounted tugger winch
- Control valve stand
- Hydraulic Power Units

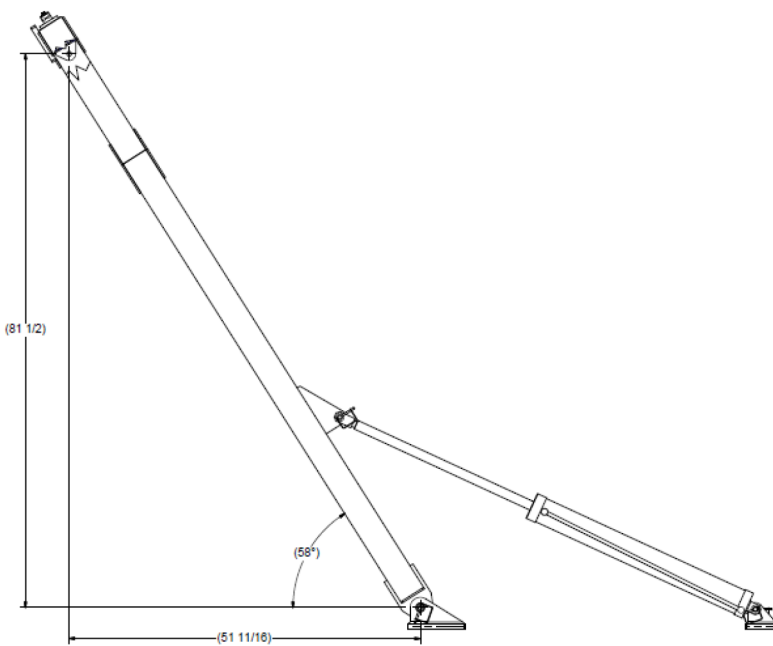


SMALL VESSEL HANDLING SYSTEM

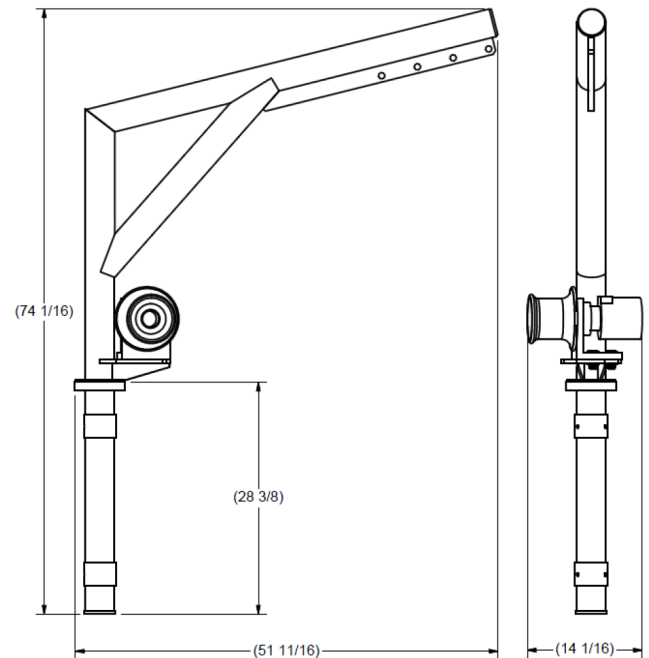
SPECIFICATIONS

A-Frame	
Width:	86 in. (2.2 m)
Length:	45 in. (1.1 m)
Height (retracted position):	95 in. (2.4 m)
Weight:	460 lbs. (208 kg)
Width between Legs:	78 in. (198 cm)
Outboard reach:	52 in. (1.3 m)
Safe Working Load:	1,500 lbs. (680 kg)
Hydraulic Pressure:	1,500 psi (103 bar)
Hydraulic Flow:	6.6 gpm (25 L/min)

J-Davit	
Height (retracted position):	74 in. (1.9 m)
Outboard reach:	52 in. (1.3 m)
Weight:	150 lbs. (68kg)
Safe Working Load:	500 lbs. (680 kg)
Hydraulic Pressure:	500 psi (103 bar)
Hydraulic Flow:	6.6 gpm (25 L/min)



OUTBOARD POSITION



OKEANUS SCIENCE & TECHNOLOGY, LLC