

ECO 500 WINCH



The ECO 500 Winch is designed to support a wide range of instrumentation and sampling applications in estuaries, coastal oceans, and large lakes and reservoirs including CTD and water sample profiling, bottom grab sampling, plankton net towing, etc., using small diameter wire rope or electro-mechanical cables, up to 500lbs safe working load. Its compact and efficient design enables more sophisticated research operations to be performed on small vessels. The ECO Winch Series provides excellent speed control and real time cable awareness, allowing precise control of underwater sampling equipment and safe deck operations.

FEATURES

- 100% duty cycle dynamic braking
- Automatic failsafe brake
- Variable speed control
- Local controls with joystick and E-stop button
- Aluminum frame with epoxy powdercoat finish
- Stainless steel shafts, bearings and hardware

OPTIONS

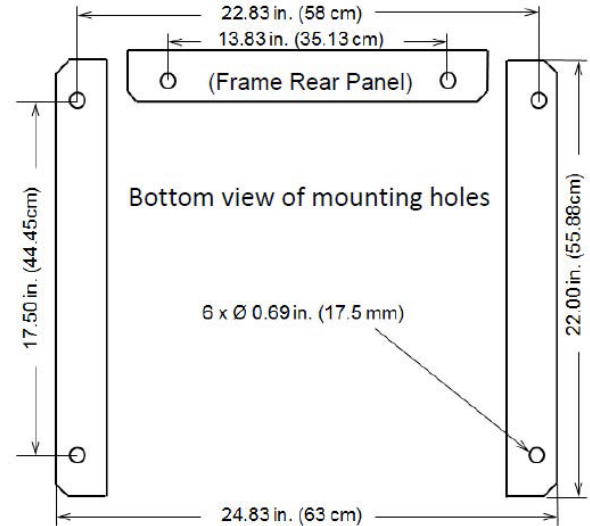
- Diamond screw levelwind with manual hand clutch
- 1hp or 2hp configuration
- Wireless or wired remote control
- Line speed & payout display / Line tension display
- Environmentally-sealed slip ring w/waterproof connector
- Grooved drum covers



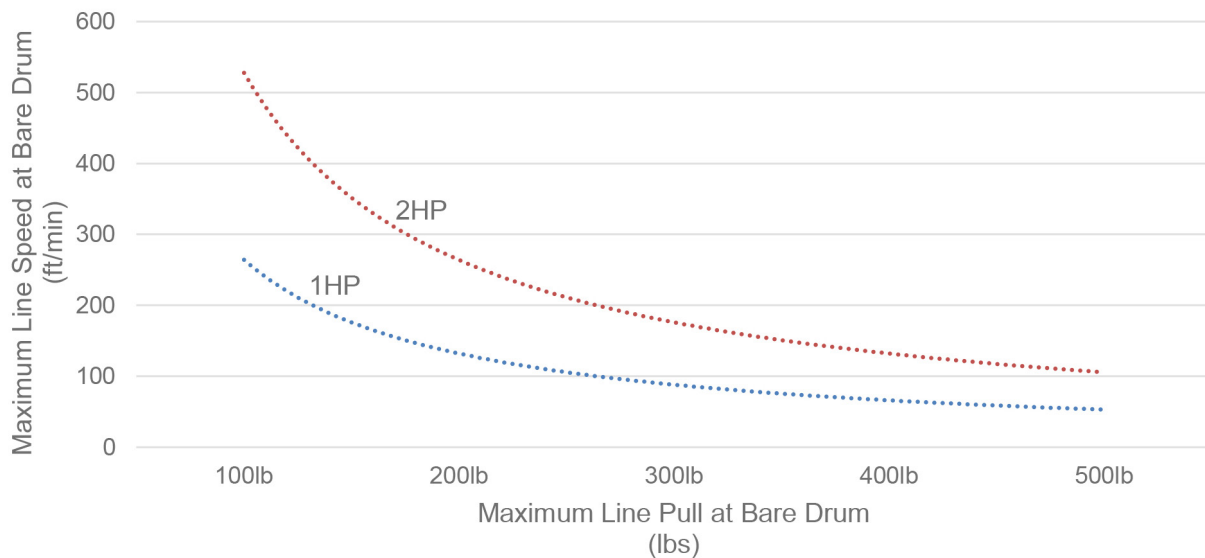
ECO 500 WINCH

SPECIFICATIONS (PENDING OPTIONS)

Width:	31-7/8 in. (810 mm)
Length:	33-1/16 in. (840 mm)
Height (including local joystick):	37-3/16 in. (945 mm)
Std. Drum flange diameter:	12.88 in. (327 mm)
- core diameter:	6-5/8 in. (168 mm)
- width between flanges:	12-1/16 in. (306 mm)
Capacity - 1/8 in. (3.2 mm) cable:	4,100 feet (1,250 m)
- 5/32 in. (4.0 mm) cable:	2,625 feet (800 m)
Weight (without cable):	310 lbs. (140 kg)
Input Power:	208-240 VAC single phase, 48-62 Hz
Maximum Line Pull:	500lbs (227kg)



Line Speed vs. Line Pull



The ECO 500 Winch is available with two motor options as well as final drive ratios, thus the line speed and line pull of the winch are flexible. The maximum line speed is dictated by the desired line pull, the chart above shows approximate line speeds to corresponding line pull ratings. (Not all line speeds are achievable)

OKEANUS SCIENCE & TECHNOLOGY, LLC